

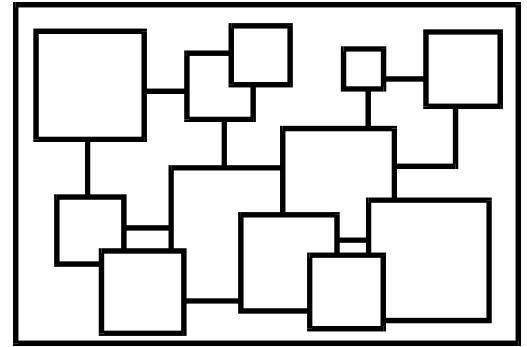
Name: _____

Date: _____

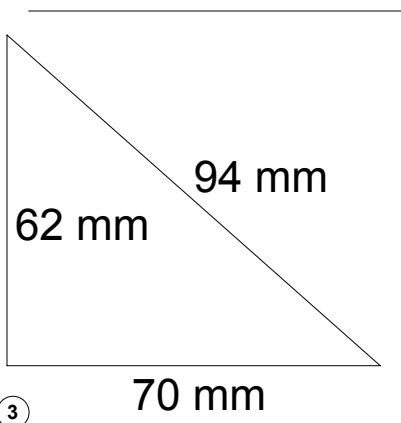
Math Challenge

What do you call a ghost's mistake? A boo-boo.

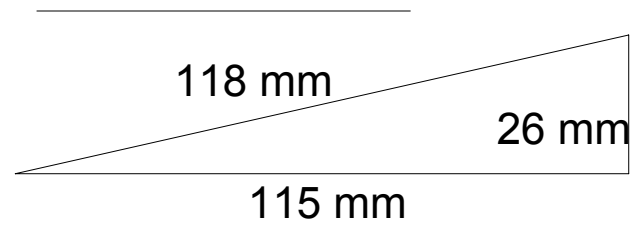
Complete the Activity.



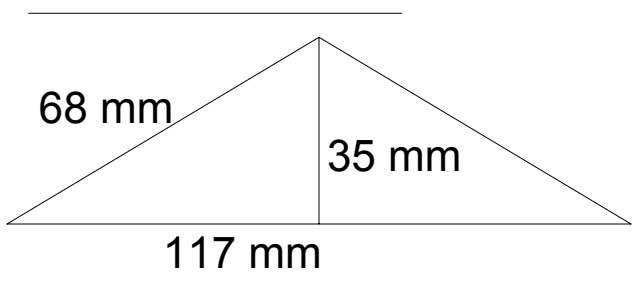
①



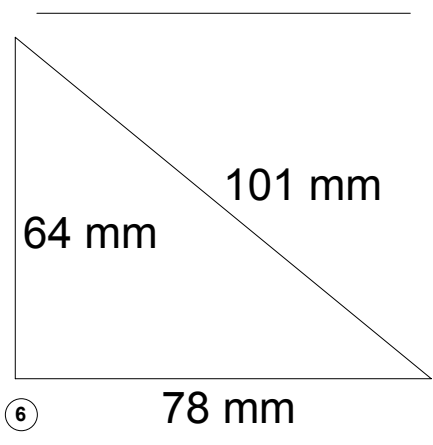
②



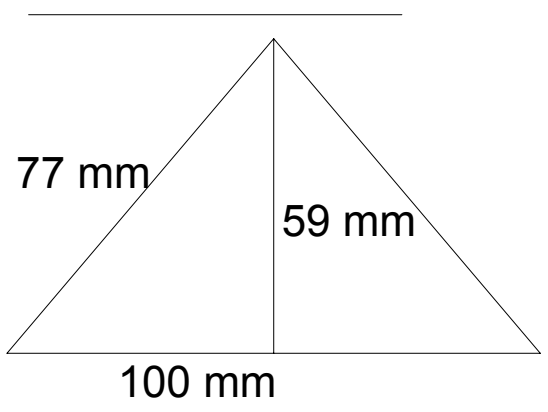
③



④



⑤



⑥

